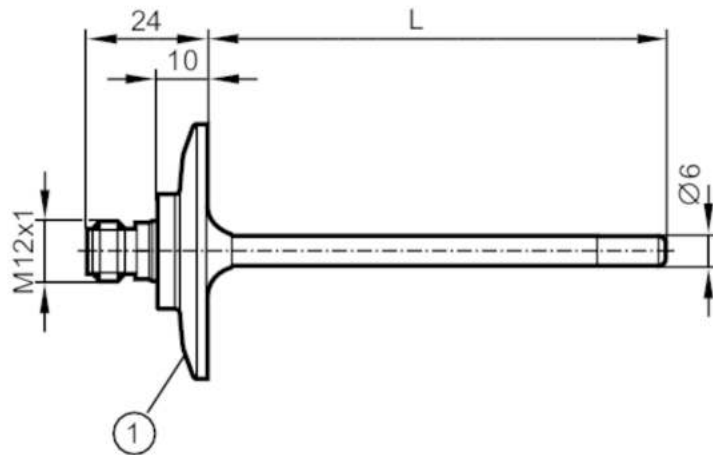


TM4841



Temperature sensor with process connection

TM-150KFEC01- /US/



1 1.5" Clamp ISO 2852
L = probe length corresponds to installation length EL



Application	
Measuring element	1 x Pt 100; (to DIN EN 60751, class A)
Application	hygienic systems
Media	liquids and gases
Pressure rating [bar]	25
Minimum installation depth [mm]	15
MAWP (for applications according to CRN) [bar]	50
Electrical data	
Protection class	III
Measuring/setting range	
Probe length L [mm]	150
Measuring range	-40...150 °C -40...302 °F
Accuracy / deviations	
Accuracy [K]	± (0,15 K + 0,002 x t)
Response times	
Dynamic response T05 / T09 [s]	1 / 3; (to DIN EN 60751)
Operating conditions	
Ambient temperature [°C]	-25...80
Storage temperature [°C]	-40...100
Protection	IP 68; IP 69K
Tests / approvals	
Shock resistance	DIN EN 60068-2-2-27 50 g (11 ms)
Vibration resistance	DIN EN 60068-2-6 10 g (10...2000 Hz)
MTTF [years]	22831

TM4841



Temperature sensor with process connection

TM-150KFEC01- /US/

Mechanical data	
Weight [g]	195
Materials	stainless steel (1.4404 / 316L)
Materials (wetted parts)	stainless steel (1.4404 / 316L) electropolished
Process connection	Clamp 1-1,5" ISO 2852
Surface characteristics Ra/Rz of the wetted parts	Ra: < 0.8
Probe diameter [mm]	6
Installation length EL [mm]	150

Remarks	
Remarks	operating voltage "supply class 2" according to cULus The values for accuracy apply to flowing water.
Pack quantity	1 pcs.

Electrical connection

Connector: 1 x M12; Contacts: gold-plated



Connection

