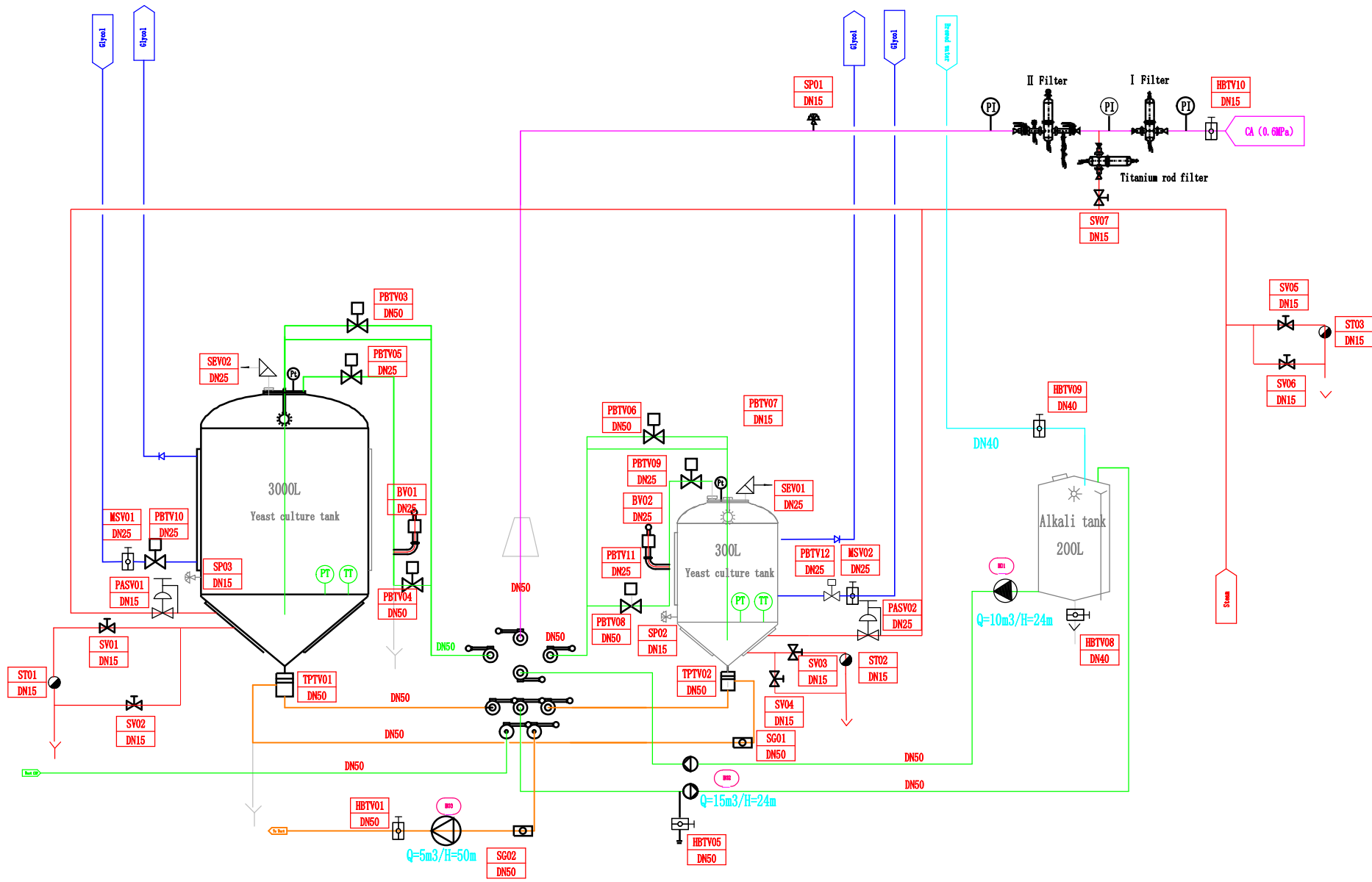


THE INFORMATION CONTAINED IN THIS DRAWING IS THE SOLE PROPERTY OF YOLONG INDUSTRIAL CO., LTD. ANY REPRODUCTION IN PART OR AS A WHOLE WITHOUT THE WRITTEN PERMISSION OF YOLONG INDUSTRIAL CO., LTD. IS PROHIBITED.



Project No.		300L-3000L Yeast Propagation System	Drawing Mark	Quantity	Weight	Scale
Drawing No.				1		1:10
Version No.	V1.0					
Designer	Rowing Huh	Date	2018.09.21	ASSEMBLY YoLong YOLONG INDUSTRIAL CO., LTD.		
Draft man		Date				
Proofreading	ZPH	Date				
Reviewer		Date				