

A

B

C

D

E

F

A

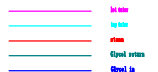
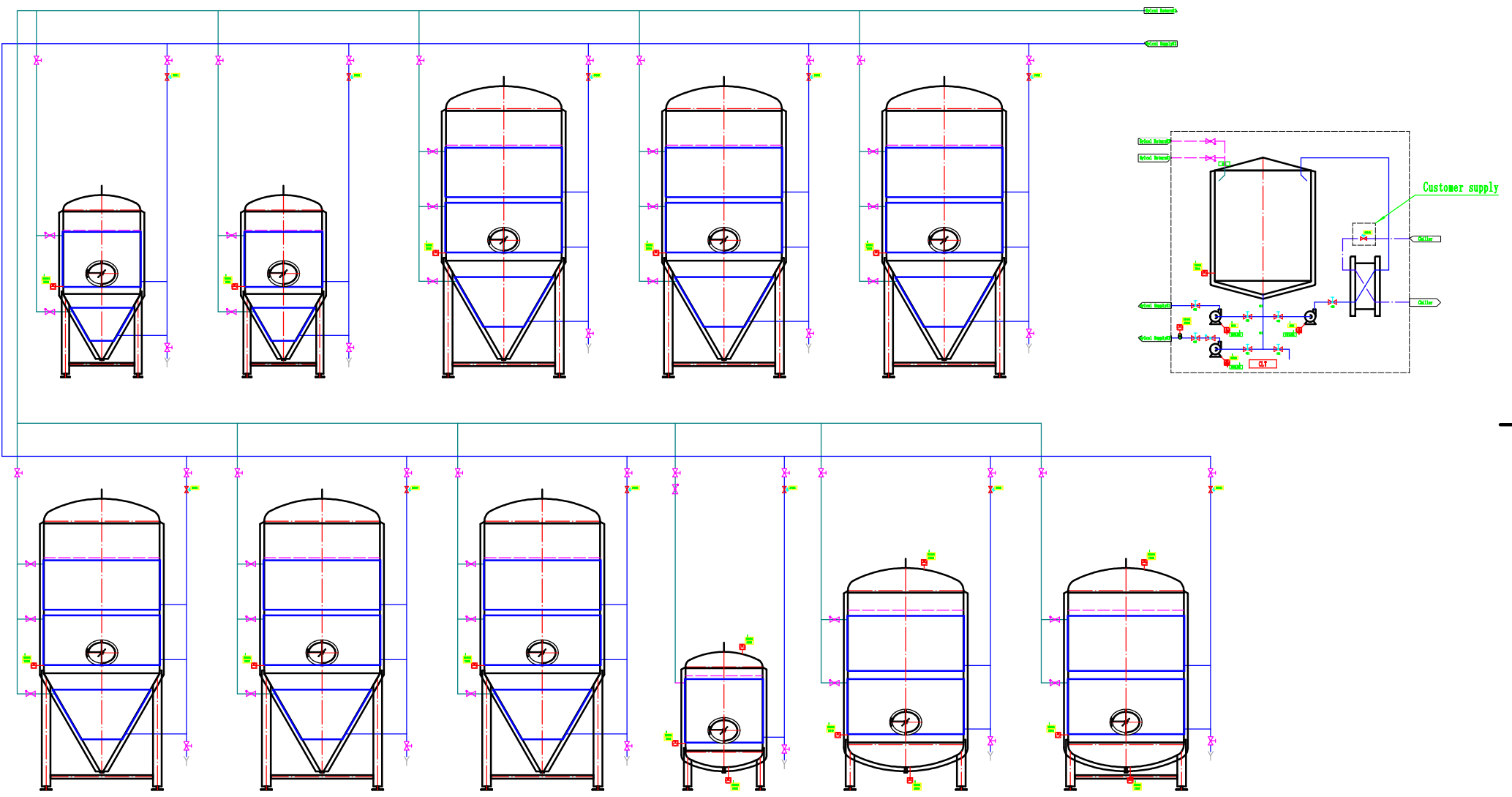
B

C

D

E

F



Symbol	Material	Condition	Function	Notes
...	...	...	...	...

Mark	Revision Text	Places Partitioning	Rev. No.	Signature	Date
1	all	VI. 3	Jason Wang	2019.5.22	

THE INFORMATION CONTAINED IN THIS DRAWING IS THE SOLE PROPERTY OF YO-LONG INDUSTRIAL CO., LTD. ANY REPRODUCTION IN PART OR AS A WHOLE WITHOUT THE WRITTEN PERMISSION OF YO-LONG INDUSTRIAL CO., LTD. IS PROHIBITED.



VI-21-0125A19	0.00
24HL-4V-RWT	1:50
Drawing No. VI-21-0912A18-C2-P&ID	Page of