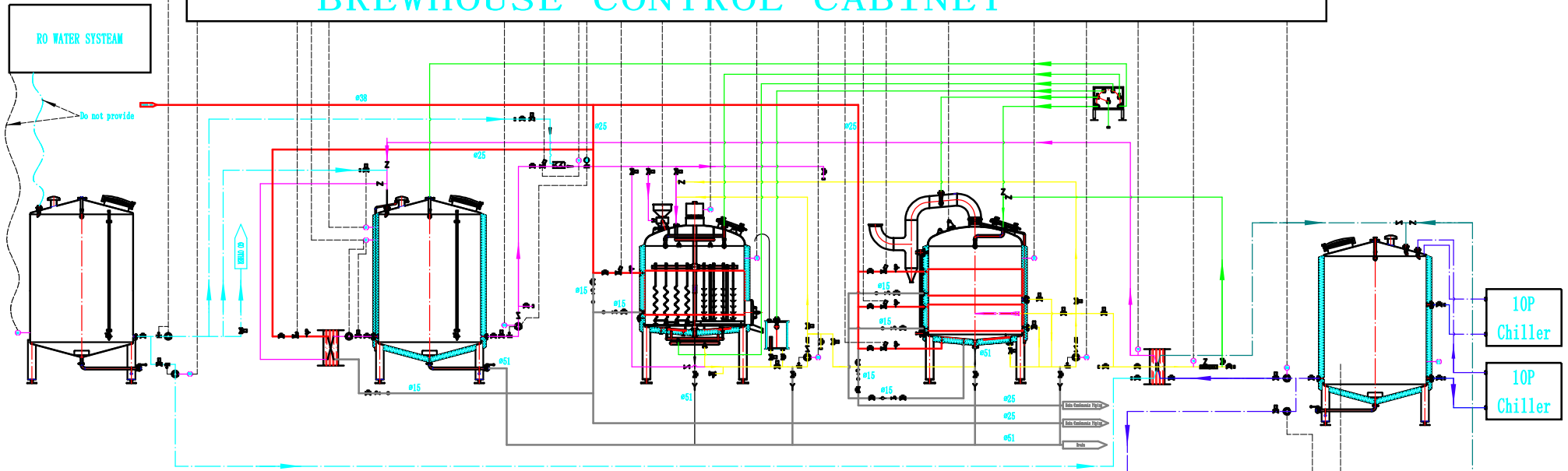
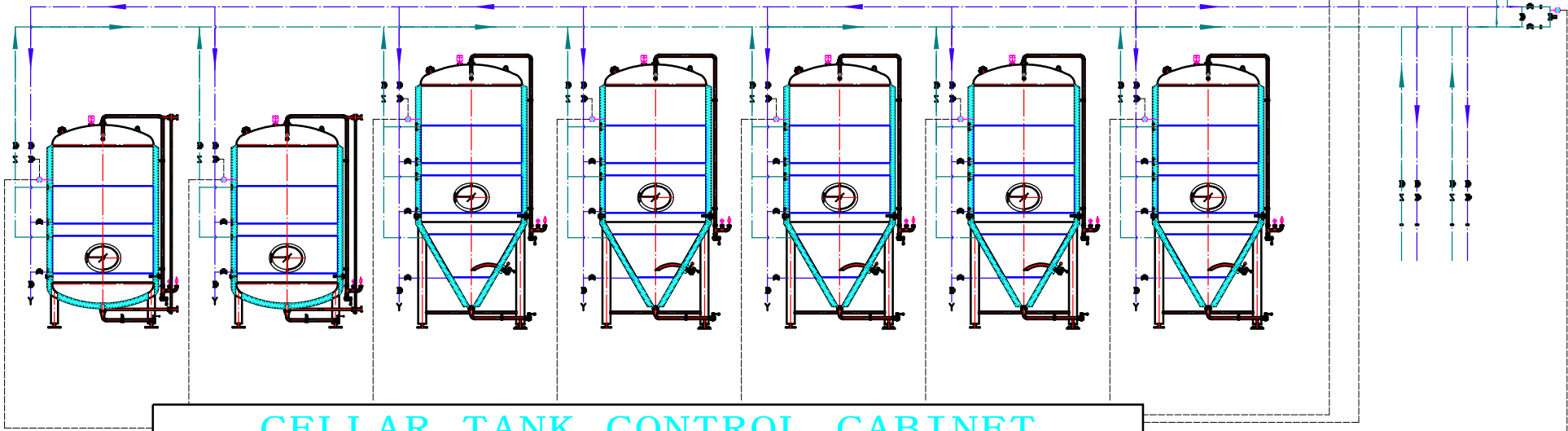


# BREWHOUSE CONTROL CABINET



# CELLAR TANK CONTROL CABINET



THE INFORMATION CONTAINED IN THIS DRAWING IS THE SOLE PROPERTY OF YOLONG INDUSTRIAL CO., LTD. ANY REPRODUCTION IN PART OR AS A WHOLE WITHOUT THE WRITTEN PERMISSION OF YOLONG INDUSTRIAL CO., LTD. IS PROHIBITED.

- hot water
  - tap water
  - steam
  - Glycol return
  - Glycol in
  - Wort
  - CIP
  - Control
- DO NOT INCLUDE NAMED PIPES AND VALVES

	Hand Ball Valve		Fire Arrester		Pneumatic Actuator		Pneumatic Control Valve		Safety Valve
	Soleno Valve		Steam Stop Valve		YPD Control		1-Phi Filter		Trap
	Hot Density Valve		Steam Pressure Gauge		Temp Control		Level Control		Trap
	Sample Valve		Wort Aeration		Flow Control		PWR		Pneumatic Air Sol Valve
	Wort Pump		Trap		Temp Display		Check Valve		

Project No.	
Drawing No.	Y2.1
Version No.	
Issue Definition	
Designer	JASON WANG
Draft man	
Proofreading	
Reviewer	
Date	2018.07.02
Date	
Date	
Date	

2400L P&ID			
Drawing Mark	Quantity	Weight	Scale
			1:00
Total	Page	page	
YoLong YOLONG INDUSTRIAL CO., LTD.			