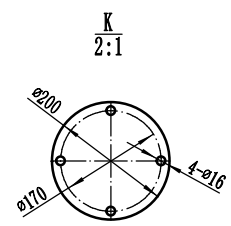
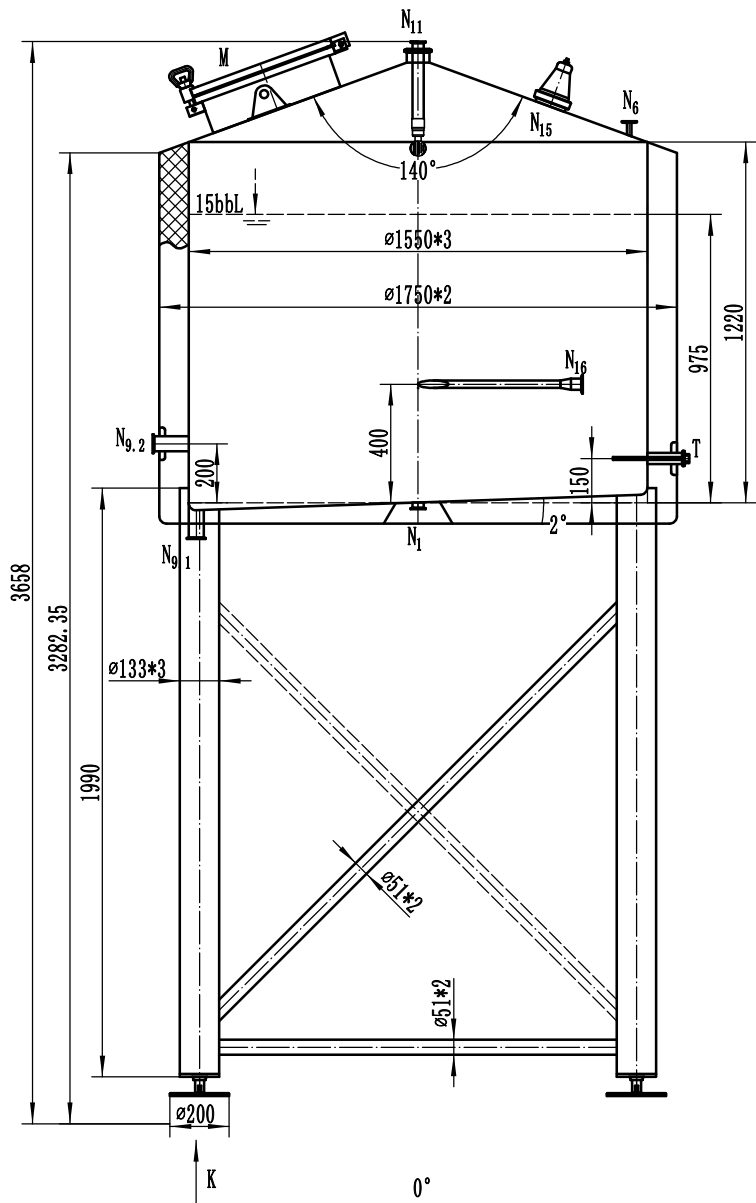
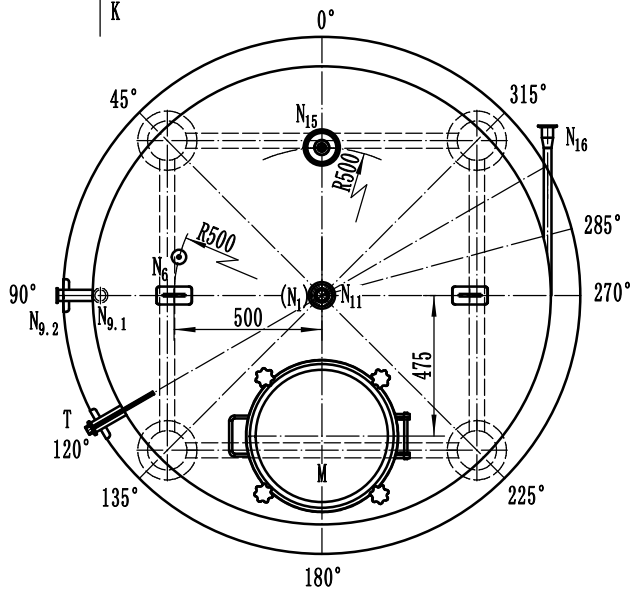


THE INFORMATION CONTAINED IN THIS DRAWING IS THE SOLE PROPERTY OF
 YOLONG INDUSTRIAL CO., LTD. > ANY REPRODUCTION IN PART OR AS A WHOLE
 WITHOUT THE WRITTEN PERMISSION OF <INSERT COMPANY NAME HERE> IS PROHIBITED.



Technical parameter		
	Inner shell	Outer shell
Material	316L	SUS304
Thickness	3mm	2mm
Heating area m ²	0	
Insulation	Mineral wool	
Total volume	20BBL	
Working volume	15BBL	
Net weight	600 Kg	



Specification			
Symbol	Spec	Connecting Style	Usage
M	ø450	Welding	Glass manway
N ₁	1.5"	Tri-clamp/21.5mm	Trub spray jets
N ₆	0.5"	Tri-clamp	O ₂ inlet
N ₉	2"	Tri-clamp	Wort outlet
N ₁₁	3"-1.5"	Tri-clamp	Spray ball
N ₁₅	4"	Bevel seat	Tank light
N ₁₆	1.5"-1"	Tri-clamp	Tangential inlet
T	1.5"-0.5"	Tri-clamp/NPT	Thermowell

Project No.			
Drawing No.			
Version No. VI.2			
Customer Confirmation			
Designer	jason wang	Date	2018.11.22
Draft man		Date	
Proofreading		Date	
Reviewer		Date	

15BBL WIRLPOOL-D1550	
SUS304	

YI-04-1106A17			
Drawing Mark	Quantity	Weight	Scale
			1:18
Total	Page	page	
YOLong YOLONG INDUSTRIAL CO., LTD.			