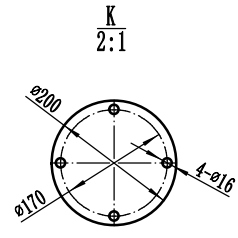
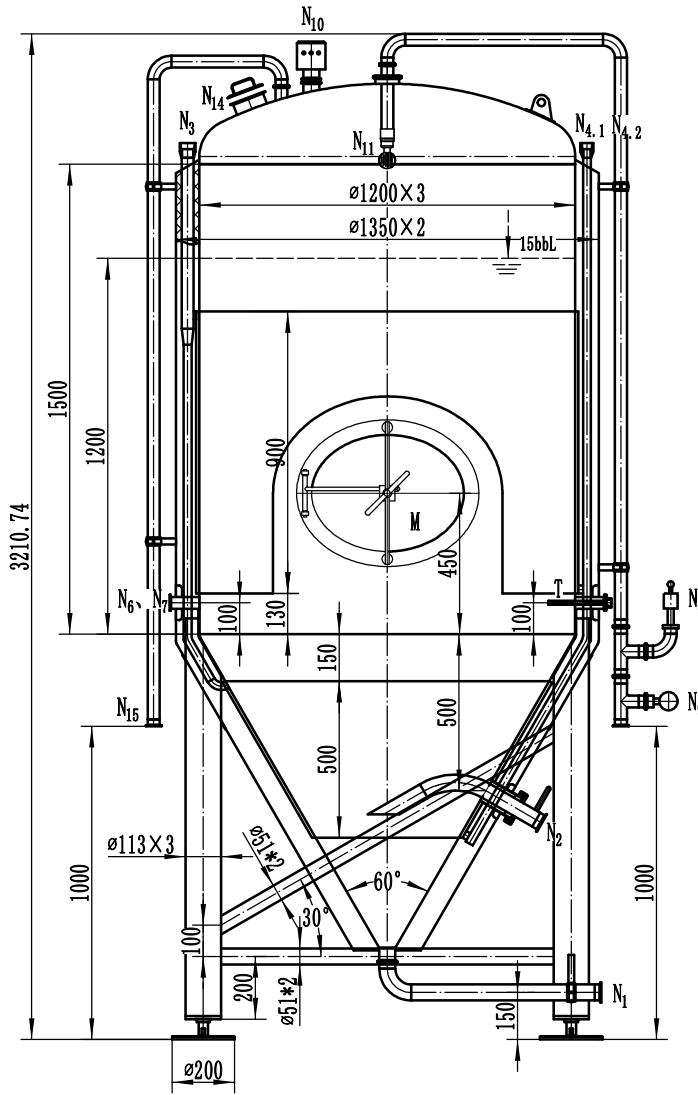
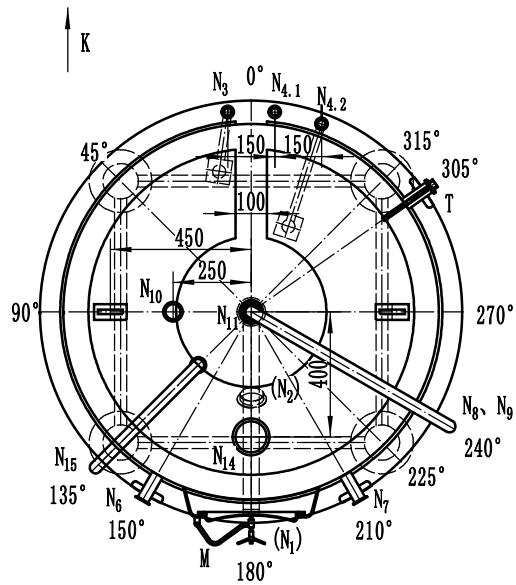


THE INFORMATION CONTAINED IN THIS DRAWING IS THE SOLE PROPERTY OF YOLONG INDUSTRIAL CO., LTD. > ANY REPRODUCTION IN PART OR AS A WHOLE WITHOUT THE WRITTEN PERMISSION OF <INSERT COMPANY NAME HERE> IS PROHIBITED.



Technical parameter		
	Inner shell	Outer shell
Material	SUS304	SUS304
Thickness	3mm	2mm
Cooling area m ²	4.5	
Insulation	PU-Foam	
Total volume	20 bbl	
Working volume	15 bbl	
Net weight	570 Kg	



Specification

Symbol	Spec	Connecting Style	Usage
N ₁	2"	Tri-clamp	Outlet
N ₂	3"/2"	Bevel seat/Tri-clamp	Racking arm
N ₃	1"	NPT	Glycol outlet
N _{4.1-4.2}	0.75"	NPT	Glycol inlet
N ₆	1.5"	Tri-clamp	Spare hole
N ₇	1.5"	Tri-clamp	Sample hole
N ₈	1.5"	Tri-clamp	Bung valve
N ₉	1.5"	Tri-clamp	pressure gauge
N ₁₀	2"	Tri-clamp	PWV
N ₁₁	3"-1.5"	Tri-clamp	Cleaning hole
T	1.5"-0.5"	Tri-clamp/NPT	Thermowell
M	580*480	Welding	Manhole
N ₁₄	4"	Tri-clamp	Hops adding hole
N ₁₅	1.5"	Tri-clamp	Breathing tube

Project No.			
Drawing No.			
Version No.	V1.3		
Customer Confirmation			
Designer	jason wang	Date	2018.11.22
Draft man		Date	
Proofreading		Date	
Reviewer		Date	

15bbL FV-D1200

SUS304

YI-04-1106A17

Drawing Mark	Quantity	Weight	Scale
			1:17

Total Page page

YOLong YOLONG INDUSTRIAL CO., LTD.