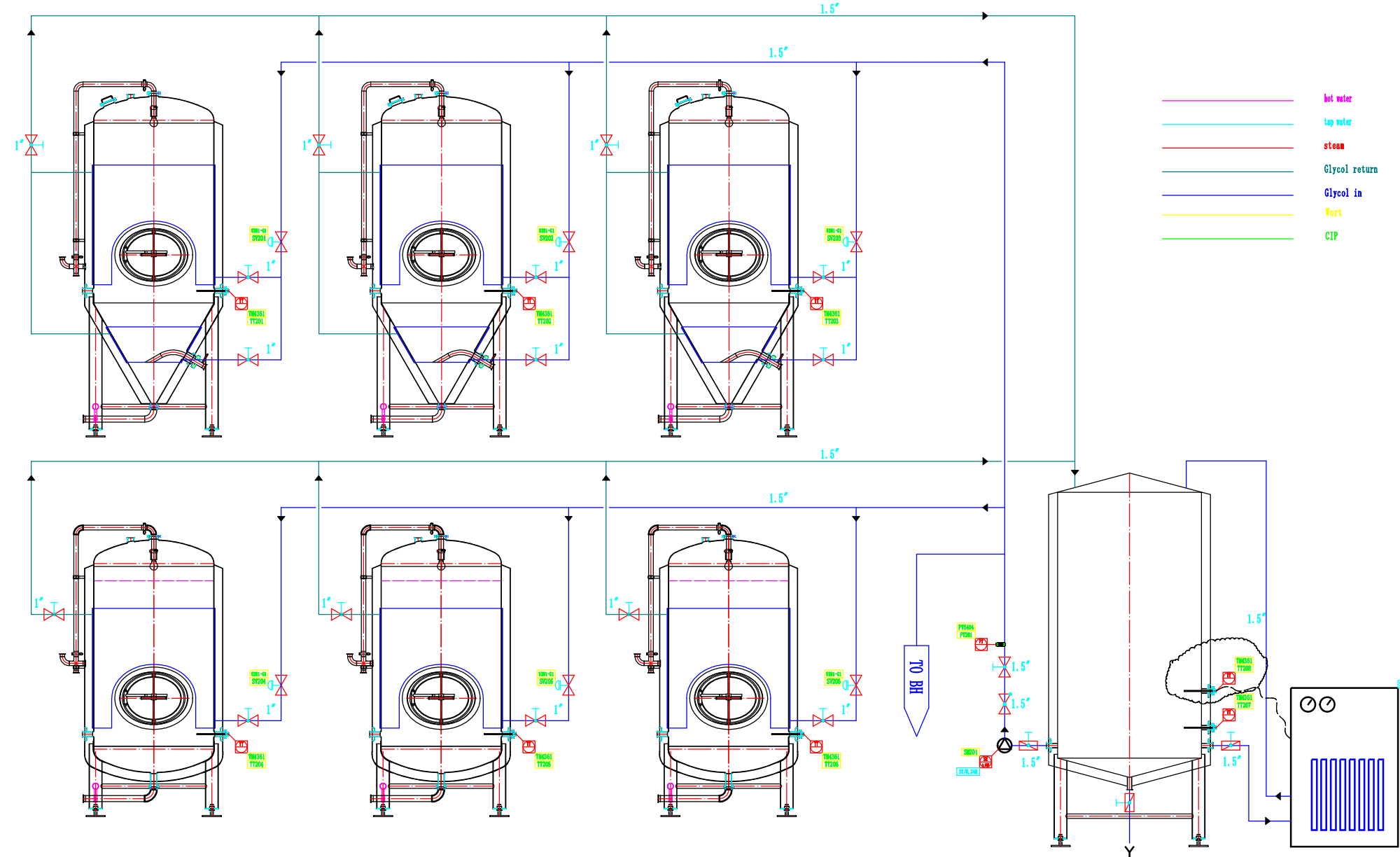


THE INFORMATION CONTAINED IN THIS DRAWING IS THE SOLE PROPERTY OF  
 YO LONG INDUSTRIAL CO., LTD. > ANY REPRODUCTION IN PART OR AS A WHOLE  
 WITHOUT THE WRITTEN PERMISSION OF <INSERT COMPANY NAME HERE> IS PROHIBITED.



	Hand Ball Valve		Flow detecting switch		Automatic safety valve
	Solenoid Valve		steam stop valve		VFD Control
	Hand Meterly tube		steam pressure pump		Temp Control
	Sample Valve		wort aeration		flow control
	wort pump		traps		Temp Display
	Automatic safety valve		Automatic safety valve		Automatic safety valve
	Automatic safety valve		Automatic safety valve		Automatic safety valve

Mark	Revision Text	Places Partitioning	Rev. No.	Signature	Date	Mark	Revision Text	Places Partitioning	Rev. No.	Signature	Date
1	all		V1.0	Jason Yang	2019.05.23						

THE INFORMATION CONTAINED IN THIS DRAWING IS THE SOLE PROPERTY OF  
 YO LONG INDUSTRIAL CO., LTD. > ANY REPRODUCTION IN PART OR AS A WHOLE  
 WITHOUT THE WRITTEN PERMISSION OF  
 YO LONG INDUSTRIAL CO., LTD. > IS PROHIBITED.

 YO LONG INDUSTRIAL CO., LTD.	客户图号	YI-14-0510A19
	10BBL-2V-P&ID	1:22
ISO	图纸编号	YI-14-0510A19-P&ID
	第 页 / 共 页	